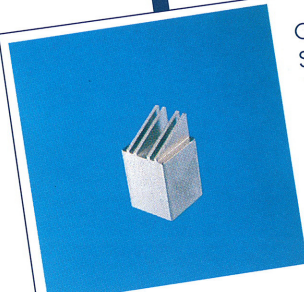
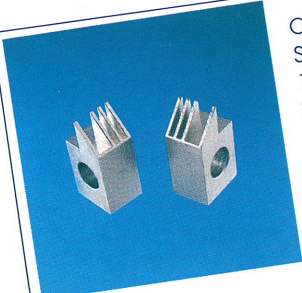


CRIMP-LOCK SEGMENTS



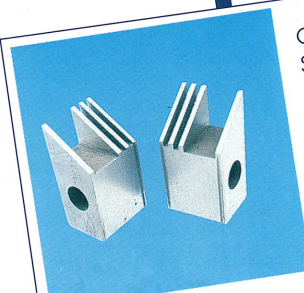
CRIMP-LOCK SEGMENT
12,5X13 H24

S50 600



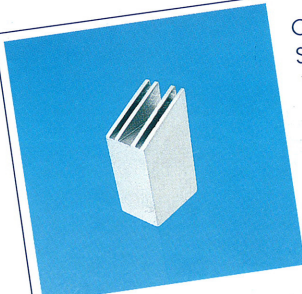
CRIMP-LOCK SEGMENT
12,5X13 H24
RIGHT AND LEFT

S50 610



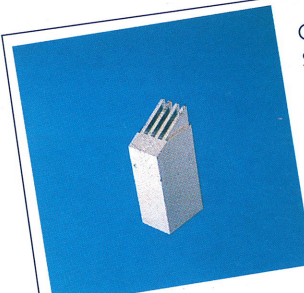
CRIMP-LOCK SEGMENT
12X10 H22
LEFT AND RIGHT

S50 620



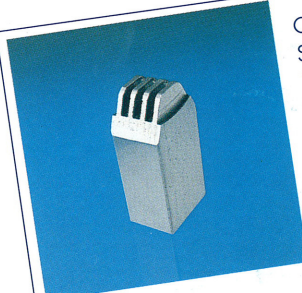
CRIMP-LOCK SEGMENT
12,5X9,5 H24

S50 640



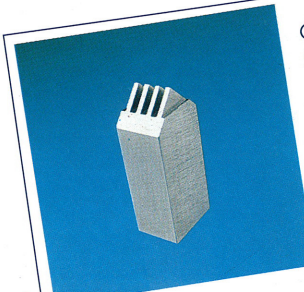
CRIMP-LOCK SEGMENT
12,5X9,5 H30
LATERAL POINTED POINT

S50 700



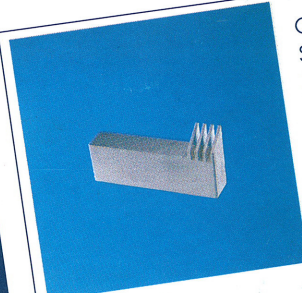
CRIMP-LOCK SEGMENT
12,5X9,5 H26
ROUNDED POINT

S50 710



CRIMP-LOCK SEGMENT
12,5X9,5 H30,5
POINTED POINT

S50 720



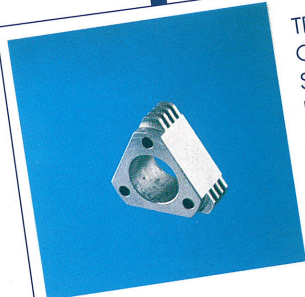
CRIMP-LOCK SEGMENT
39X8 H20/13
RIGHT AND LEFT
POINTED POINT

S50 800

NEWMEC s.r.l.

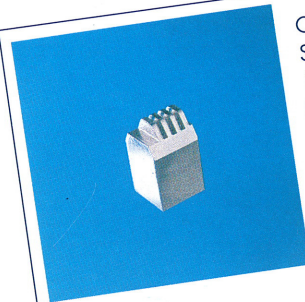
Via B. Angelico, 21 - 20052 Monza (Mi) Italy
Tel. +39.039.20.24.452
Fax +39.039.20.24.483

CRIMP-LOCK SEGMENTS



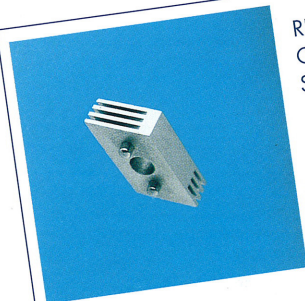
TRIANGULAR
CRIMP-LOCK
SEGMENT
ROUNDED
POINT

S50 500



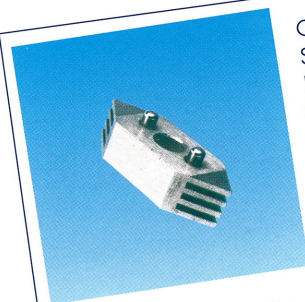
CRIMP-LOCK
SEGMENT
12,5X13 H22
ROUNDED
POINT

S50 510



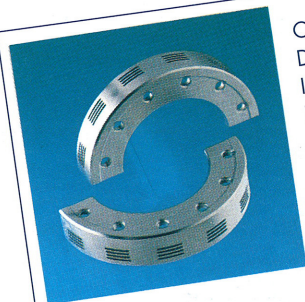
RHOMBOIDAL
CRIMP-LOCK
SEGMENT

S50 054



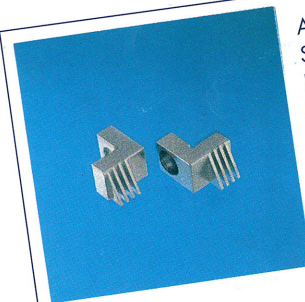
CRIMP-LOCK
SEGMENT
NEW
GENERATION

S50 055



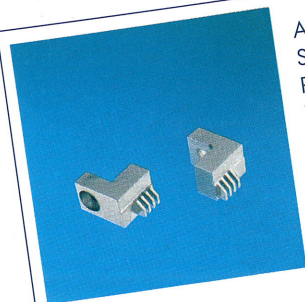
CRIMP-LOCK
DISC
IN TWO
HALF

M80 050



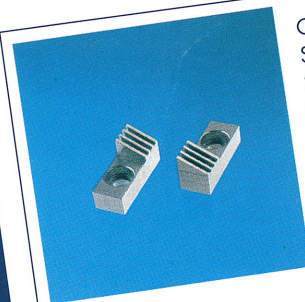
ANGULAR
SEGMENTS
RIGHT AND
LEFT
POINTED
POINT

S50 050



ANGULAR
SEGMENTS
RIGHT AND
LEFT BLUNTED
POINT

S50 051



CRIMP-LOCK
SEGMENT
20X19 H19
RIGHT AND
LEFT

S50 120

NEWMEC s.r.l.

Via B. Angelico, 21 - 20052 Monza (Mi) Italy
Tel. +39.039.20.24.452
Fax +39.039.20.24.483